



Mains or battery operation





SanTec® FLUSH

The comfortable WC - control

The contact-free, fully automatic WC-control offers optimum hygiene with maximum comfort. The either 12V extern- or battery operated electronic, which contains an integrated motorlifter with clevis mounting, can be mounted on every flushing cistern of type "SanTec SLK" or "Geberit Twico2". Due to the variant with battery operation it is also suitable for upgrading. The automatic flushing takes place after leaving the WC, a manual flush can be activated at any time either contactless by approaching the hand to the sensor or by pushing the manual push button. Further there can be activated a manual flushing via pushing the additional push button.

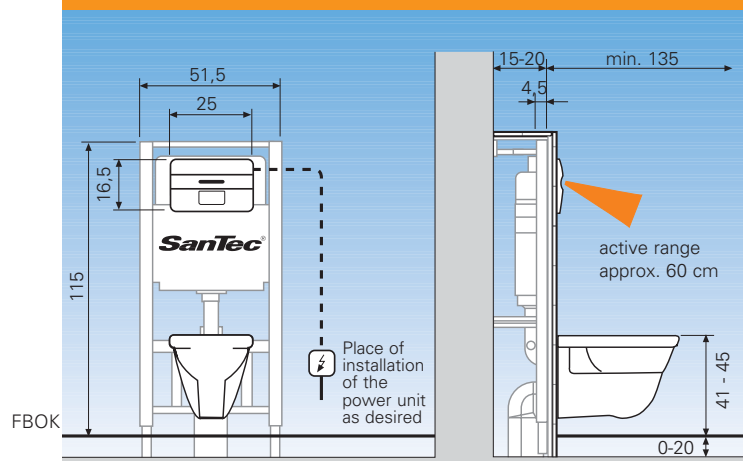


Function

			
<p>Automatic flushing after leaving the WC (switchable) Minimum stay time 15 sec.</p>	<p>Contactless manual flush can be activated by approaching the hand to the infrared sensor or by pushing the manual push button</p>	<p>Optional intermediate flush by pressing the button (not at battery operated variant)</p>	<p>Optional intermediate flush with connection to a prop handle with integrated push button (not at battery operated variant)</p>

- Easy installation in a few minutes
- Battery operation for upgrading or 12V external supply.
- Fully automatic or manual release

Installation dimensions in cm



The most important data and dimensions in mm

Technical specifications 12V external supply:

External supply: 12V AC / 50Hz
 Power input: max. 6VA, average 1VA
 Type of wire: 2 x 1,5 mm²,
 Length of connection: max. 100 m

Technical specifications 6V battery operation:

Battery operation: 6V lithium
 Battery life: approx. 25.000 flushings

Further technical specifications:

Near active range: approx. 3 cm
 Active range: approx. 60 cm
 from 30 – 80 cm adjustable

Manual flushing:

Contactless with a close range reflex via hand in front of the infrared window or manual by pushing the push button.

Automatic flushing:

After use with a minimum stay time of 15 seconds (adjustable)

Intermediate flushing:

Every 10 minutes (adjustable)



matt
chromium



shine
chromium



white



steel

Product variants and article numbers:

SanTec SLK cistern	SanTec FLUSH 6V battery operation	matt chromium	art.no. 103 120
	Non-contact infrared WC-control for 6V battery operation for fully automatic as well as for manual control.	shine chromium	art.no. 103 137
		white	art.no. 103 144
	Suitable for flushing cistern SanTec SLK	steel	art.no. 103 151
SanTec SLK cistern	SanTec FLUSH 12V external supply	matt chromium	art.no. 103 083
	Non-contact infrared WC-control for 12V external operation for fully automatic as well as for manual control.	shine chromium	art.no. 103 090
		white	art.no. 103 168
	Suitable for flushing cistern SanTec SLK	steel	art.no. 103 113
Geberit Twico2 cistern	SanTec FLUSH 6V battery operation	matt chromium	art.no. 101 143
	Non-contact infrared WC-control for 6V battery operation for fully automatic as well as for manual control.	shine chromium	art.no. 102 284
		white	art.no. 102 291
	Suitable for flushing cistern Geberit Twico 2	steel	art.no. 102 802
Geberit Twico2 cistern	SanTec FLUSH 12V external supply	matt chromium	art.no. 100 136
	Non-contact infrared WC-control for 12V external operation for fully automatic as well as for manual control.	shine chromium	art.no. 102 321
		white	art.no. 102 338
	Suitable for flushing cistern Geberit Twico 2	steel	art.no. 102 796

Accessory:

SanTec 230V Power unit **art.no. 231 120**

External power unit for 230V power supply. Only for SanTec FLUSH
 Version 12V external supply. For connection of one unit of SanTec FLUSH.

SanTec FIX WC assembly element

see pages 46 - 49