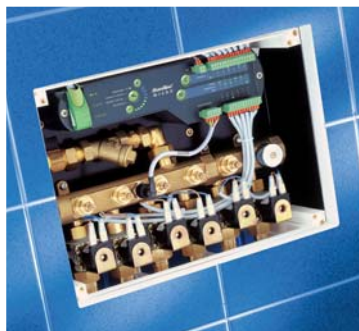


SanTec[®] MICRO

The superior sanitary control

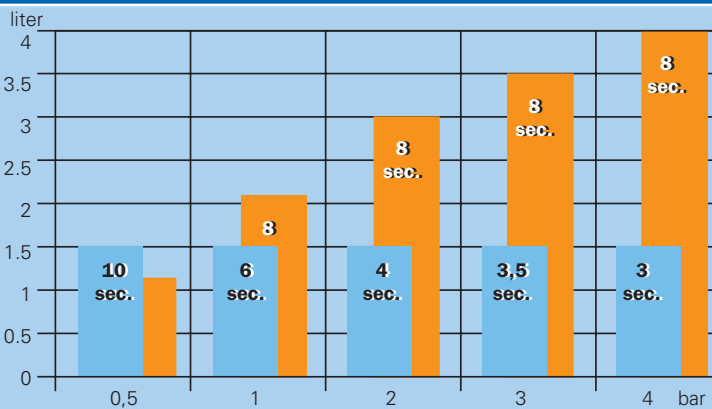
- **Progressive technology with adjustable flushing volume**
- **Maximum hygiene with minimum water and energy consumption**
 - the operating costs can be reduced up to 40%
 - pre-flushing, if urinal is not used for longer than 5 min.
 - hygiene flushing ater 24 hours non-use
- **Aesthetic and functional design**
SanTec MICRO fits harmoniously into any sanitary room.
- **MICRO CENTER**
The intelligent flushing management coordinates all control functions under the aspect of maximum hygiene and slightest use of resources.
The function of the single sensors is choosable and easy to adjust. An additional connection offers the possibility to use SanTec Micro also with central building control systems.

At usual single urinal controls the flush quantity rises together with the water pressure. SanTec MICRO keeps exactly the adjusted flush quantity, thereby the water consumption and consequently the running costs are reduced considerably.



Low operating costs due to precise water release of flushing volume

Water savings



■ **Single urinal control** with flushing time setting

■ **SanTec MICRO** with flushing volume setting

Function

Minimum stay time



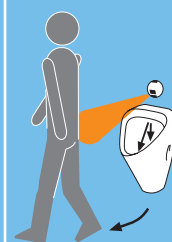
4 secs.

Intelligent pre-flushing



1 sec. if urinal is not used for longer than 5 min.

Precise main flushing



Pressure-independent, volume controlled from 1 to 5 litres

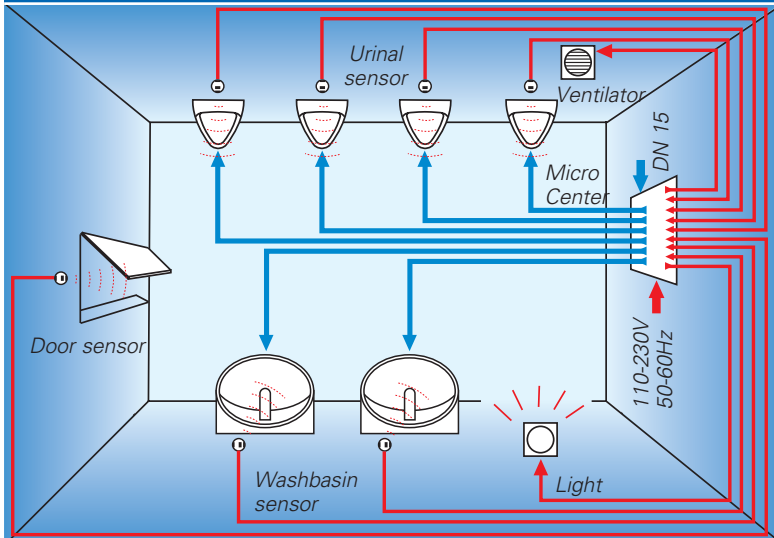
Hygiene flushing



After 24 hours non-use



Concept

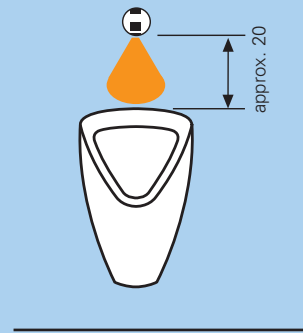


SanTec MICRO: the multifunctional sanitary control controls up to 6 water-dispensing positions, selectable between urinals, washbasins or WC cisterns. The door sensor additionally controls light and ventilator.

Installation dimensions in cm



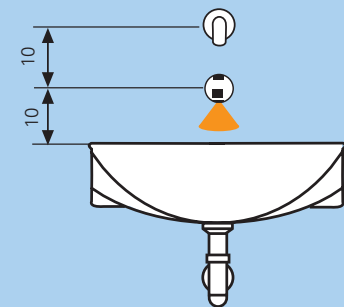
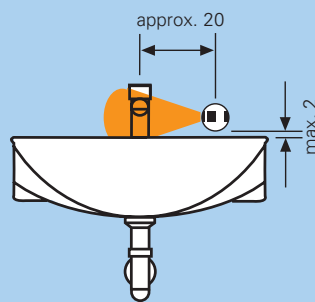
Urinal sensor



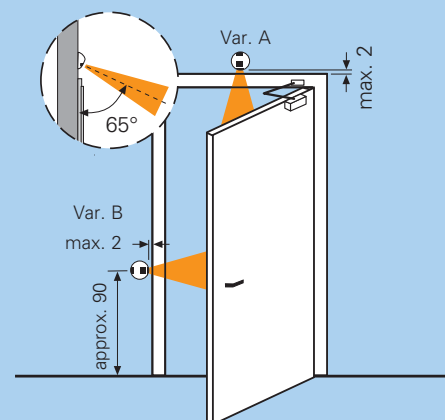
Washbasin sensor

aslant optic:

straight optic:



Door sensor

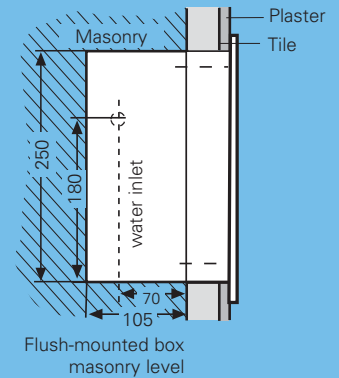




SanTec MICRO Center dimension drawing in mm

Technical specifications:

- Connection voltage: 230V / 50 Hz
- Power consumption: approx. 9 VA
- Magnetic valves: 24V / 50 Hz
- Lightning: 230V / max. 0.8 A
with extra relay max. 10 A
- Ventilation: 230V / max. 0.8 A
with extra relay max. 10 A
- Flushing volume: 1 - 5 litres
- Flow pressure: 0.5 - 6 bar
- Water inlet: R1/2" inside thread (DN 15)
- Water outlet: R1/2" outside thread (DN 15)



Dimensions:

- Wall mounted box: 360 x 250 x 100 mm
- Front plate: 385 x 275 mm

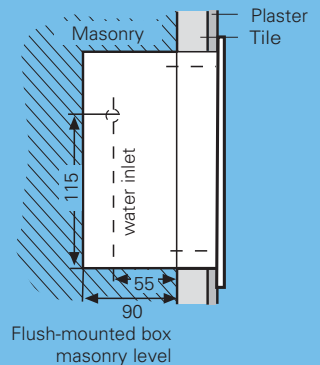
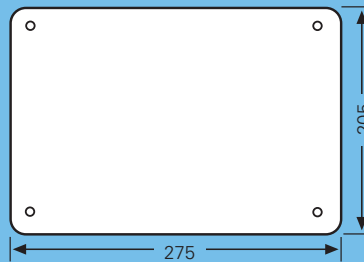
External double valve unit dimension drawing in mm

Technical specifications:

- Magnetic valves: 24V / 50 Hz
- Flow pressure: 0.5 - 6 bar
- Water inlet: R1/2" inside thread (DN 15)
- Water outlet: R1/2" outside thread (DN 15)

Dimensions:

- Wall mounted box: 260 x 180 x 90 mm
- Front plate: 275 x 205 mm



SanTec MICRO Sensor dimension drawing in mm

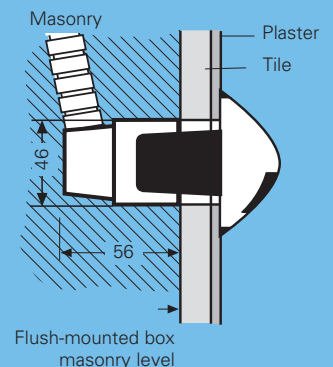
Technical specifications:

- Active range: 50 cm pre-adjusted
- Urinal sensor: adjustable 30 - 70 cm

- Active range: 35 cm pre-adjusted
- Washbasin sensor: adjustable 30 - 70 cm

Dimensions:

- Wall mounted box: $\varnothing = 46$ mm
depth = 56 mm
- Cover cap: $\varnothing = 60$ mm



Accessories mounting technology

SanTec FIX MICRO Sensor (page 52)